

Ozone Blaster 2

By EcoQuest

3500/7000 mg/hr. Ozone Generator

Commercial Air Purifier



OWNER'S MANUAL

Please read all of the information provided in this owner's manual before operating your new Commercial Air purifier.

WARNING

This air unit is not a medical device. Do not stop or alter any medical therapy programs or medications without the advice of your physician. Excessive ozone concentrations may cause mucous membrane or respiratory irritation.

CAUTION

**RISK OF ELECTRICAL
SHOCK DO NOT OPEN**



ATTENTION

***Caution:* TO REDUCE THE RISK OF ELECTRICAL SHOCK, DO NOT REMOVE COVER. NO USER SERVICEABLE PARTS INSIDE. REFER SERVICING TO QUALIFIED SERVICE PERSONNEL.**

This “bolt of lightning” indicates that uninsulated material within your unit may cause an electrical shock. For the safety of everyone, do not remove product covering.

INTRODUCTION

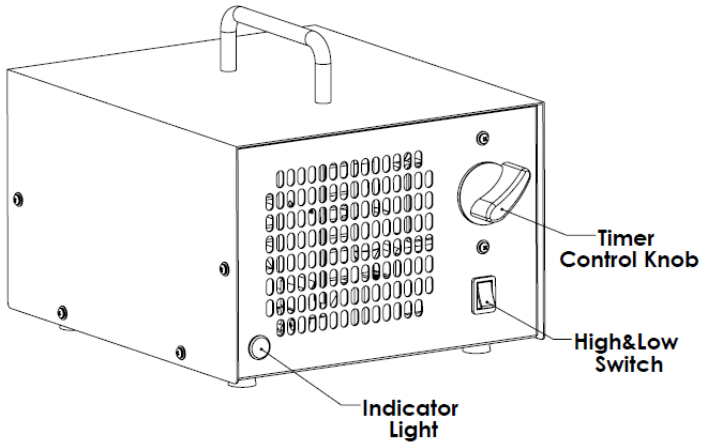
This commercial air purifier is an advanced and convenient contaminant remediation product. High-powered oxidation in a compact, lightweight, rugged and simple design. Utilizing controlled corona discharge ozone technology developed specifically to reduce odors and smoke in unoccupied spaces, ideal for treatment of homes, offices, automobiles, boats and More!

SPECIFICATIONS

Model:	Ozone Blaster 2
Rated Voltage:	Europe AC 220-240V/50-60Hz USA/Japan AC 100-120V/50-60Hz
Power Consumption:	100W
Ceramic Plate Size(2 plates):	90X50MM
Air Volume:	Max 100 CFM(2.8 M ³ /min)
Active Oxygen(on) :	3.5-7.0 g/h
Sound Level(DB):	45 Db
Product size(mm):	W210xH180xD260MM
Weight:	2.9Kgs(6.38Lbs)

Operating your Ozone Blaster 2

(Front View)



PART

FUNCTION

Timer Control Knob

Turn clockwise to set the timer for timed operation up to TWO hours.

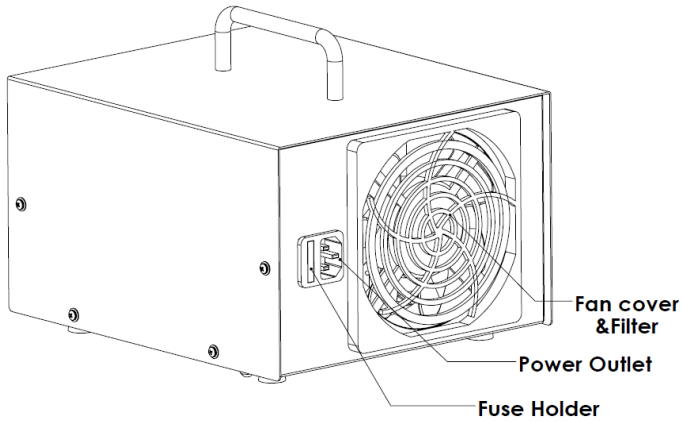
Indicator Light

Illuminates when unit is in operation.

High-low switch

ozone high and low change-over switch

(Back View)



PART

FUNCTION

Fuse Holder Houses removable fuse. (Two amp, 0.79 inch in length)

Power Cord Grounded cord

OPERATION

Ozone Blaster 2 removes odors, bacteria, mold and viruses in unoccupied spaces. The unit has a timer that will enable it to run for a maximum duration of 2 hours. The timer will then shut the purifier off.

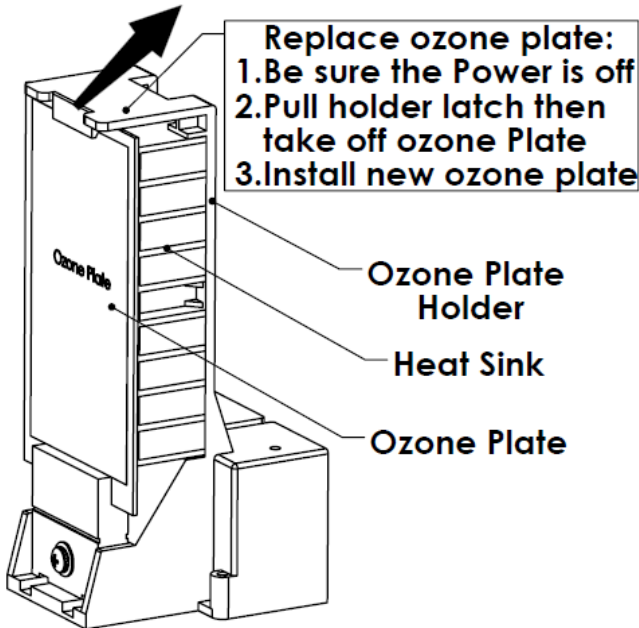
To operate the Ozone Generator Air Purifier:

- Close off the desired area to be treated.
- Remove all occupants and pets.
- Position the unit as close as possible to the odor source.
- In such environments as motels that have individual heating and cooling systems, turn the fan on and set on re-circulate.
- Set timer to desired time and leave the room.

MAINTENANCE

When your Ozone Blaster 2 no longer produces enough ozone, replace the ozone plates. (Usual replacement after 6000 hours of operation)

How to replace the ozone plate:

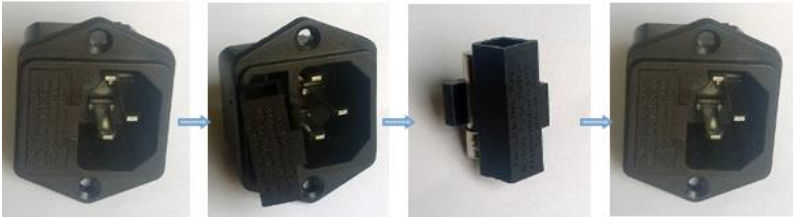


- 1) Turn the unit off and unplug from outlet.
- 2) Use a screwdriver to unfasten cover screw and remove cover.
- 3) Pull ceramic plate out of ozone generator module.
- 4) Install ceramic plate as shown in above figure (be careful not to drop the plate).

TROUBLESHOOTING

If you suspect a problem with your unit check the following:

- 1) Unit plugged in properly.
- 2) Unit is properly grounded to avoid potential shock.
- 3) Fuse is installed properly and in good condition. To replace fuse, pull out the plastic fuse holder, remove old fuse and insert new fuse. Replacement fuse must be two amp (0.79 inch). Refer to picture as follows:



SERVICE AND WARRANTY

The ozone generator commercial air purifier comes with a one Year Limited Warranty.

This device is warranted to be free from all defects in material in normal use for a period of 1 year from date of purchasing. The warranty is granted only to the original purchaser. This warranty provides for the repair or replacement of the unit, replacement product or parts may included re-manufactured or refurbished parts or components.

This warranty does not cover part of the unit that requires replacement under normal use. Any damages or malfunctions caused by negligence, abuse, or use not in accordance with the owner's manual are not covered by this warranty. Likewise, any defects or damages caused by unauthorized service.